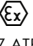





# Barrier Cable Glands for Non-armoured Cables

## CENTAURUS-N BARRIER for Mining Applications

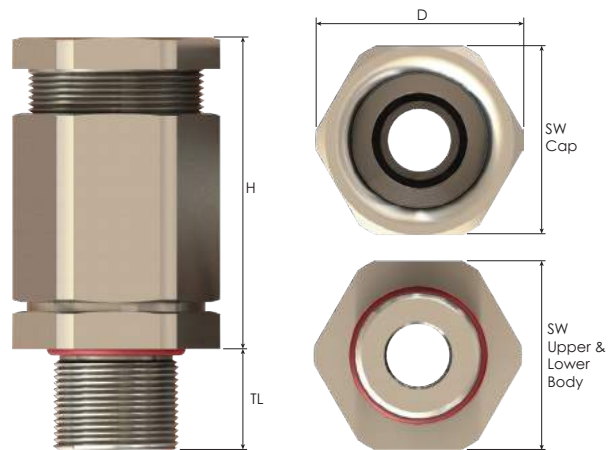
Technical Details		
<b>Material</b>	<b>Body, Cap</b>	Brass, Brass Nickel Plated, Stainless Steel 316L
	<b>Inner Part</b>	Brass, Brass Nickel Plated, Stainless Steel 316L
	<b>Seal</b>	Silicone
	<b>O-ring</b>	Silicone
<b>Ingress Protection Rating</b>	IP 68 - 5 Bar, 30 min IP 66	
<b>Operating Temperature</b>	<b>Seal Material</b>	<b>Silicone</b>
		-60°C to +60°C
<b>Service Temperature</b>	<b>Seal Material</b>	<b>Silicone</b>
		-60°C to +100°C
<b>Equipment For</b>	Mining potentially explosive atmospheres	
<b>Suitable for use in</b>	Group I Mining Group IM	
<b>Equipment Marking</b>	Ex I M - Ex db IMb Ex eb IMb	
<b>Marking Example*</b>	BMD KBCTN.. Ex CE 0722  I M2 Ex db I Mb Ex eb I Mb IP66/68 Ta -60°C to +60°C CESI 17 ATEX 007X IECEx CES 17.0029X	
<b>Thread Type</b>	<ul style="list-style-type: none"> <li>• Metric (M) ISO Pitch 1,5</li> <li>• NPT (N) ANSI ASME B1.20.1</li> <li>• Other thread types also available upon request.</li> </ul>	
<b>Cable Type</b>	Non Armoured	
<b>Accessories</b>	<ul style="list-style-type: none"> <li>• Lock nuts</li> <li>• Gaskets (Washers)</li> <li>• Serrated Washers</li> <li>• Shrouds</li> <li>• Earth tags</li> </ul>	
	<ul style="list-style-type: none"> <li>• O-ring available in Metric and NPT outer threads.</li> <li>• Accessories must be ordered separately.</li> </ul>	
	<b>Remarks</b>	
	<b>Approvals</b>	<b>Certificate Number</b>
	CESI 17 ATEX 0007X	EN 60079-0:2012+A11:2013 EN 60079-1:2014 EN 60079-7:2015 EN 60079-31:2014
	IECEx CES 17.0029X	IEC 60079-0:2011 Edition:6 IEC 60079-1:2014 Edition:7 IEC 60079-31:2013 Edition:2 IEC 60079-7:2015-08 Edition:5
	№ TC RU C-TR.AA87.B.00941	ГОСТ 31610.0-2014 ГОСТ IEC 60079-1:2013 ГОСТ IEC 60079-31:2013
-For more information see our webpage.		
* The standard marking consists ATEX & IECEx only. Marking acc. to other standards on request.		



Order Coding								
Part Number	Material	Seal	- Group	Gasket (Washer)	Serrated Washer	Lock Nut	Shroud	Earth Tag
Mandatory	Mandatory	Mandatory	- Mandatory	Option	Option	Option	Option	Option
See table	B Brass BN Brass Nickel plated X Stainless steel 316L	S Silicone	- M Group I (Mining)	WC Chloroprene WS Silicone WF Fiber	WSR Serrated washer	L Lock nut	S Shroud	E Earth tag
Example								
KBCTN5N	BN	C	- M	-	WSR	L	S	-

# CENTAURUS-N BARRIER for Mining Applications

## Barrier Cable Glands for Non-Armoured Cables



### Thread Type METRIC acc. to ISO 965-3

Outer Thread Size (Male)	Clamping Range Ø min-max mm	Over Conductors max Ø mm	Outer Thread Length TL mm	Spanner Width			Outer Ø D mm	max. Height H mm	Part Number	Needed Barrier Compound Mixture Per Pcs. (g)
				Cap SW Cap mm	Upper Body SW Upper Body mm	Lower Body SW Lower Body mm				
M20x1,5	6,0 - 13,0	9,5	16,0	25	25	25	27,0	51,0	KBCTN1SM	7
	8,0 - 15,0	9,5	16,0	25	25	25	27,0	51,0	KBCTN1M	7
	13,5 - 21,0	12,0	16,0	30	30	30	33,0	52,5	KBCTN1LM	9
M25x1,5	8,0 - 15,0	9,5	16,0	25	25	30	33,0	51,0	KBCTN2SM	7
	13,5 - 21,0	12,0	16,0	30	30	30	33,0	52,5	KBCTN2M	9
	18,0 - 27,0	15,0	16,0	40	40	40	44,5	60,0	KBCTN2LM	20
M32x1,5	18,0 - 27,0	15,0	16,0	40	40	40	44,5	60,0	KBCTN3M	20
	23,0 - 33,0	21,5	16,0	43	43	43	47,0	61,5	KBCTN3LM	31
M40x1,5	23,0 - 33,0	21,5	16,0	43	43	45	50,0	61,5	KBCTN4SM	31
	29,0 - 40,0	29,0	16,0	50	50	50	55,5	69,5	KBCTN4M	60
M50x1,5	29,0 - 40,0	29,0	16,0	50	50	55	61,0	69,5	KBCTN5SM	60
	35,0 - 48,0	37,0	16,0	58	58	58	64,0	75,0	KBCTN5M	90
M63x1,5	35,0 - 48,0	37,0	20,0	58	58	68	75,0	75,0	KBCTN6SM	90
	42,0 - 56,0	46,0	20,0	75	75	75	83,0	97,5	KBCTN6M	193
M75x1,5	42,0 - 56,0	46,0	20,0	75	75	80	89,0	97,5	KBCTN7SM	193
	54,0 - 70,0	58,0	20,0	100	100	100	110,5	106,5	KBCTN7M	337
M90x1,5	54,0 - 70,0	58,0	20,0	100	100	100	110,5	106,5	KBCTN8M	337

\*Barrier compound is served as 50 g standard.

### Thread Type NPT acc. to ANSI ASME B1.20.1

Outer Thread Size (Male)	Clamping Range Ø min-max mm	Over Conductors max Ø mm	Outer Thread Length TL mm	Spanner Width			Outer Ø D mm	max. Height H mm	Part Number	Needed Barrier Compound Mixture Per Pcs. (g)
				Cap SW Cap mm	Upper Body SW Upper Body mm	Lower Body SW Lower Body mm				
NPT 1/2"	6,0 - 13,0	9,5	21,0	25	25	25	27,0	51,0	KBCTN1SN	7
NPT 1/2"	8,0 - 15,0	9,5	21,0	25	25	25	27,0	51,0	KBCTN1N	7
	13,5 - 21,0	12,0	21,0	30	30	30	33,0	52,5	KBCTN1LN	9
NPT 3/4"	8,0 - 15,0	9,5	21,0	25	25	30	33,0	51,0	KBCTN2SN	7
	13,5 - 21,0	12,0	21,0	30	30	30	33,0	52,5	KBCTN2N	9
NPT 1"	18,0 - 27,0	15,0	21,0	40	40	40	44,5	60,0	KBCTN2LN	20
	18,0 - 27,0	15,0	26,0	40	40	40	44,5	60,0	KBCTN3N	20
	23,0 - 33,0	21,5	26,0	43	43	43	47,0	61,5	KBCTN3LN	31
NPT 1 1/4"	23,0 - 33,0	21,5	28,0	43	43	45	50,0	61,5	KBCTN4SN	31
	29,0 - 40,0	29,0	28,0	50	50	50	55,5	69,5	KBCTN4N	60
NPT 1 1/2"	29,0 - 40,0	29,0	28,0	50	50	55	61,0	69,5	KBCTN5N	60
NPT 2"	35,0 - 48,0	37,0	28,0	58	58	65	72,0	75,0	KBCTN6N	90
NPT 2 1/2"	42,0 - 56,0	46,0	41,0	75	75	80	89,0	97,5	KBCTN7N	193
NPT 3"	54,0 - 70,0	58,0	43,0	100	100	100	110,5	106,5	KBCTN8N	337

\*Barrier compound is served as 50 g standard.